



OSO

INSTRUCTION MANUAL
ORBIT STAINLESS STEEL BRACELET

WELCOME TO THE OSO FAMILY

Thank you for your purchase. We are glad to have you on board this journey together with us.

We strive to create vintage-inspired timepieces of the highest quality. Each OSO watch represents a new stage in our journey as a brand as we continue to grow.

Nelson Q
CEO, Founder



ORBIT STAINLESS STEEL BRACELET

This 20mm steel bracelet is designed to fit the Orbit collection or any watch with a lug width of 20mm. The bracelet features a butterfly clasp, which makes it completely invisible when you're wearing the watch, making it seamless and elegant at the same time.

A full 316L stainless steel bracelet ensures maximum durability and enhances the look of the watch, making it versatile and wearable for all occasions. Screw-in links ensure that resizing can be done easily and that your watch will stay secure at all times.

TECHNICAL SPECIFICATIONS



Lug Width: 20mm

Clasp Type: Butterfly Clasp

Material: 316L Solid Stainless Steel

Material Finish: Brushed and Polished

Adjustment: Screw-In Links

End Links: Fitted Solid End Links

Taper: 20mm to 18mm

WHAT YOU NEED



Bracelet x1

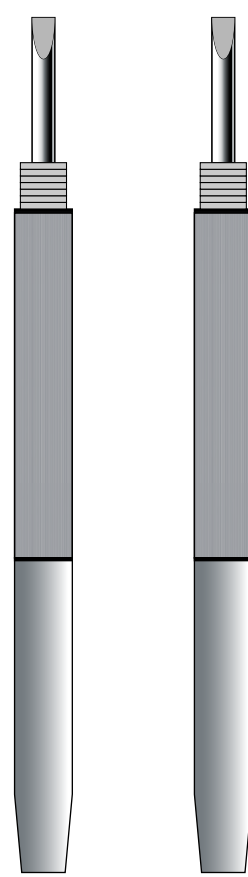
Link Pin Removal



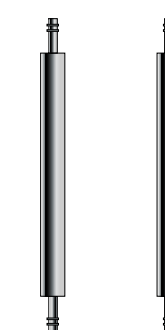
Spring Bar Removal

2 in 1 Spring Bar / Link
Pin Removal Tool x1

1.5 mm Flathead



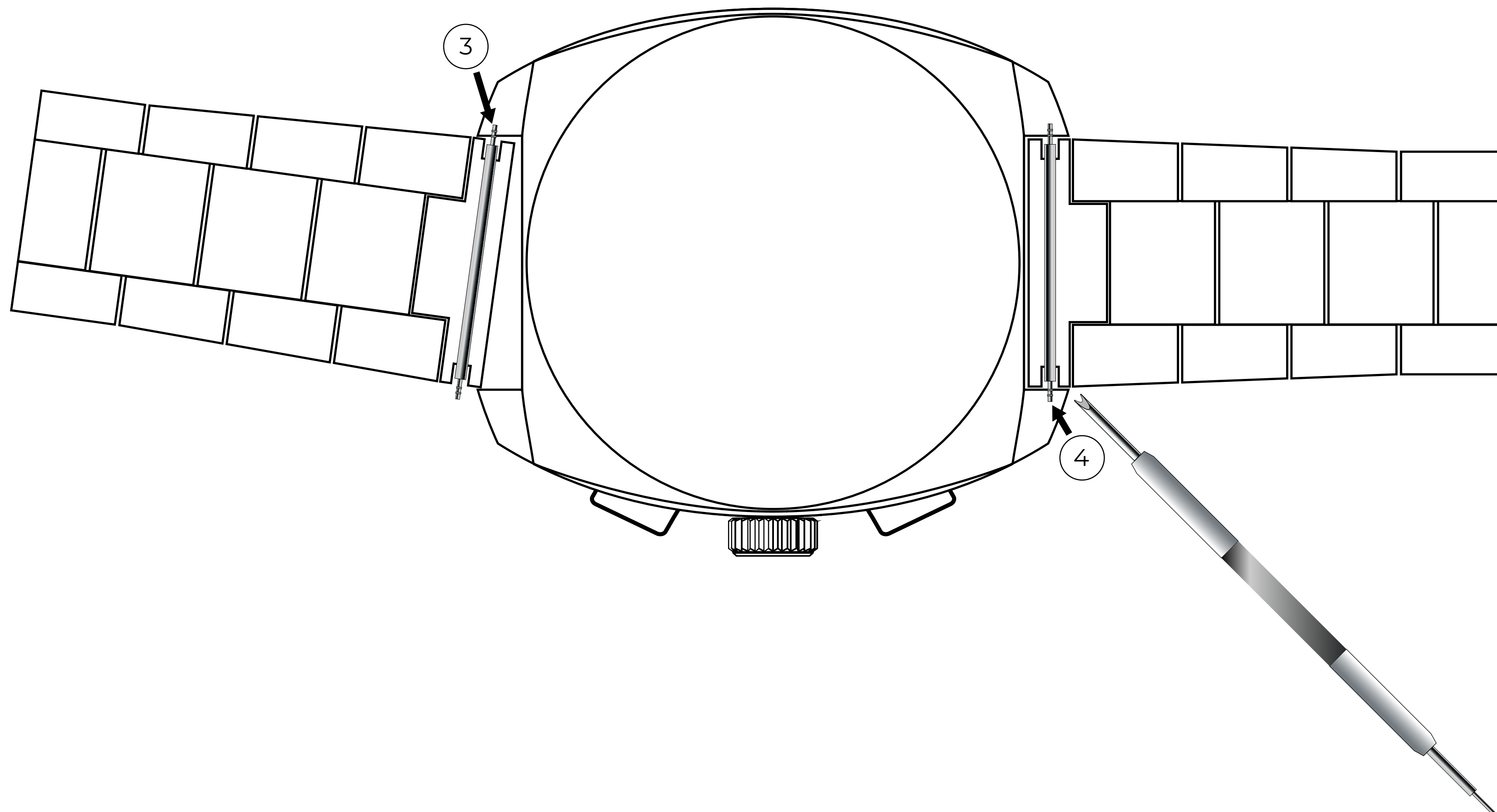
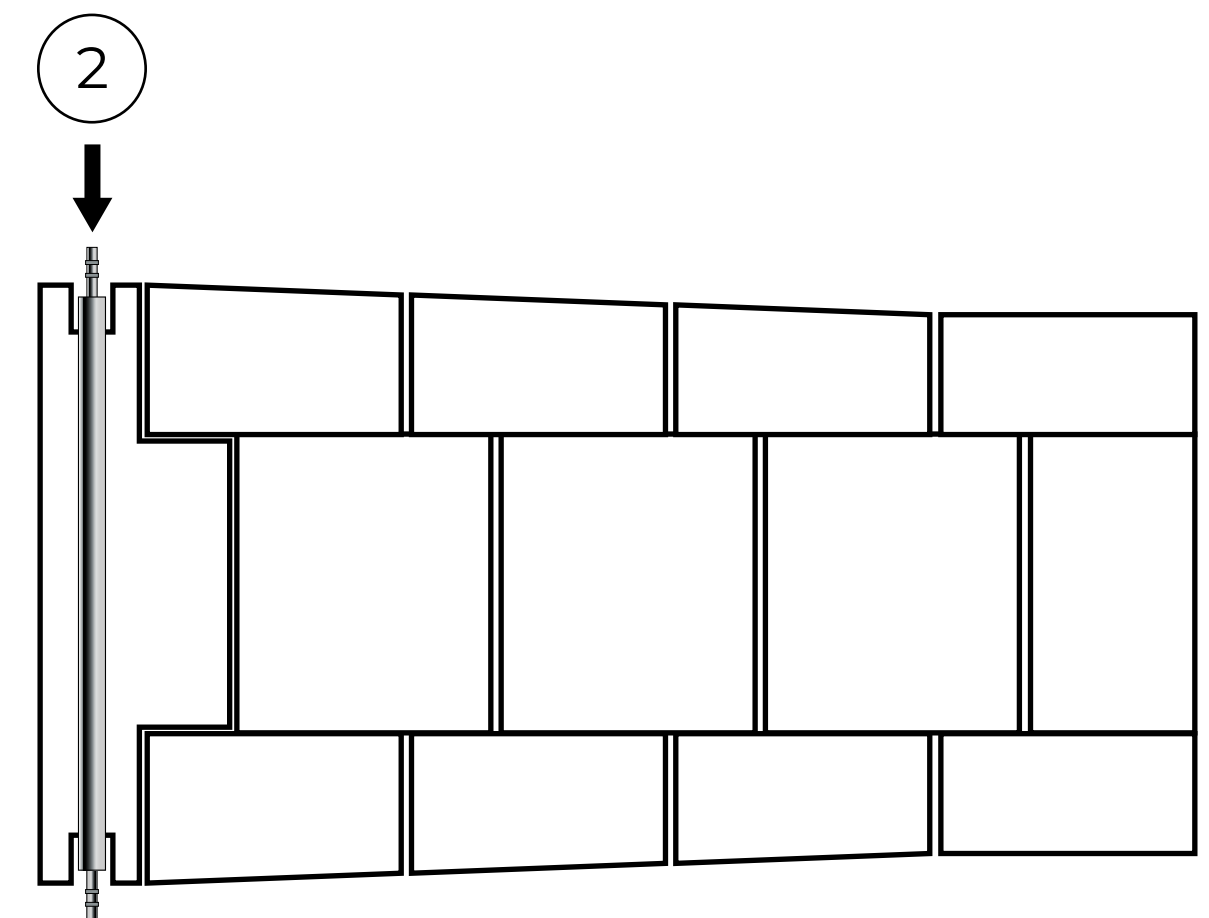
Flathead 1.5mm
Screwdriver x2



Springbars x2

INSTALL BRACELET

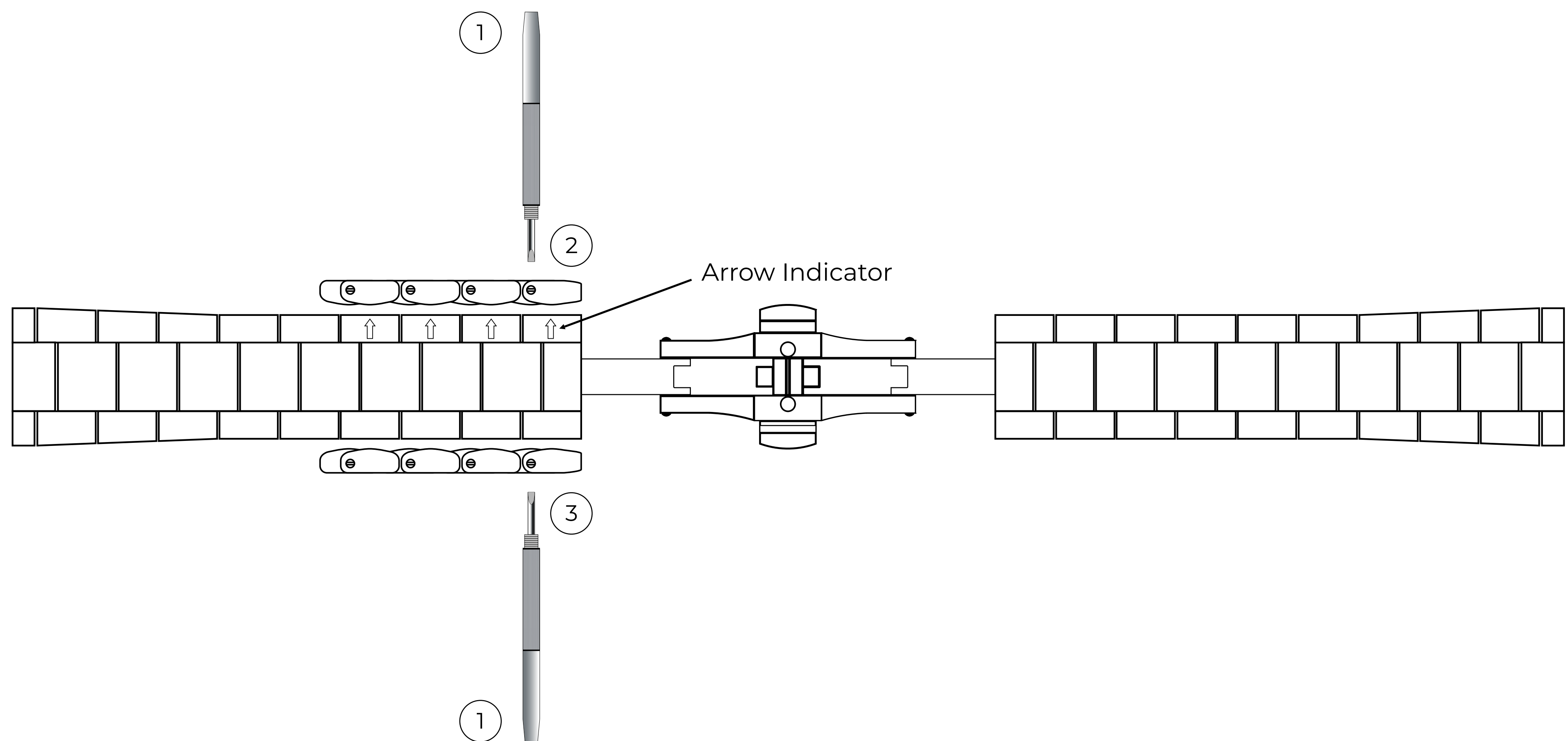
1. Remove any existing strap or bracelet from the watch.
2. Insert the spring bar into the bracelet.
3. Fit one side of the spring bar into the lug hole.
4. Use the spring bar tool to insert the spring bar into the other lug hole.



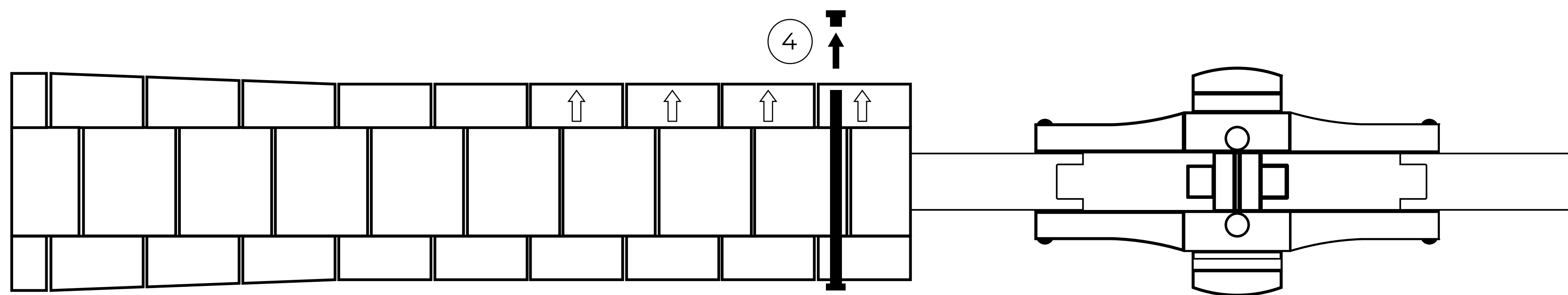
LINK BRACELET ADJUSTMENT

We recommend seeking the assistance of an experienced watch technician for sizing of your watch. If adjustment is not done correctly, the bracelet may unexpectedly become detached leading to loss of your watch or injury.

1. To remove the link, insert the flathead screwdrivers onto both sides of the link.
2. Turn the screw counterclockwise on the side with the arrow indicator.
3. Use the screwdriver on the other side as an anchor to prevent it from turning while unscrewing the other side.

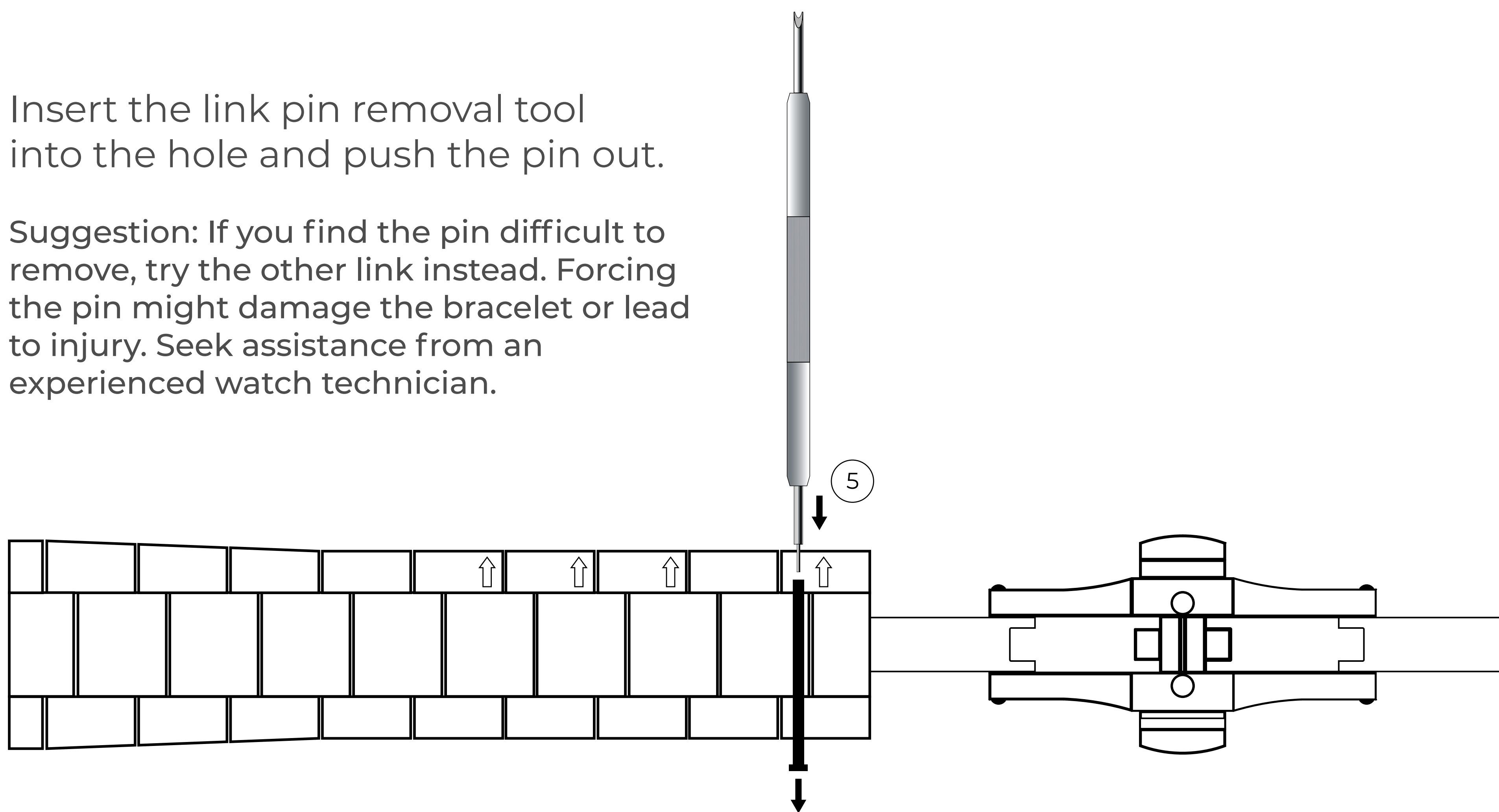


4. Remove the screw on the side with the arrow.

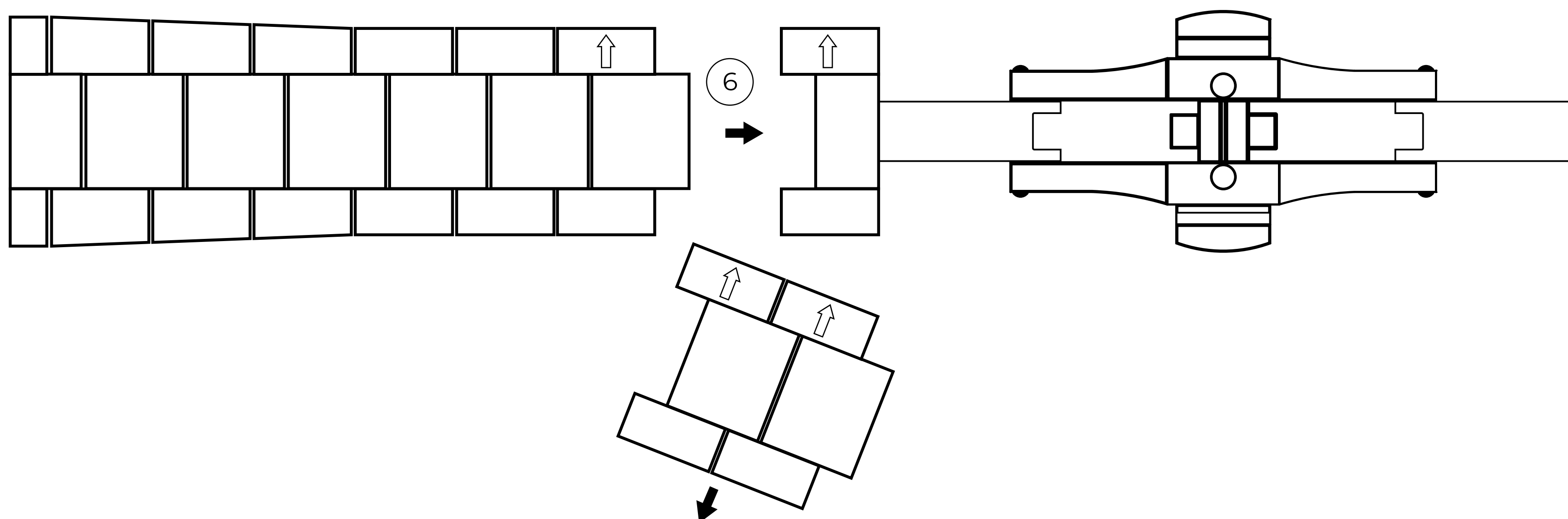


5. Insert the link pin removal tool into the hole and push the pin out.

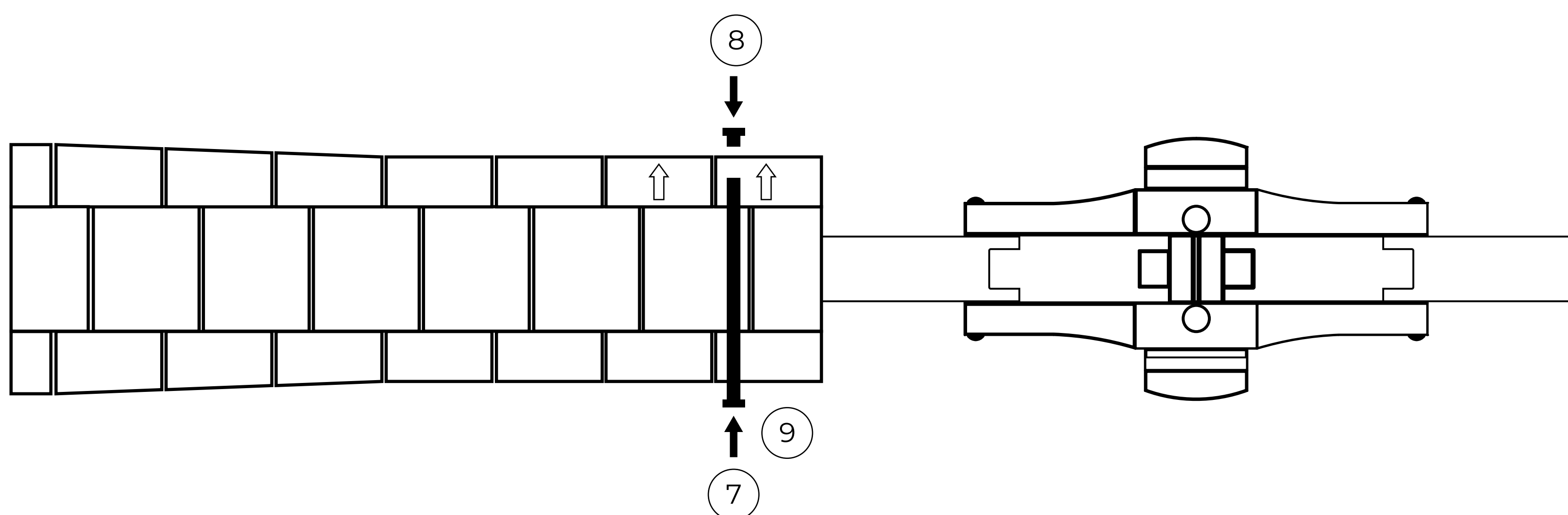
Suggestion: If you find the pin difficult to remove, try the other link instead. Forcing the pin might damage the bracelet or lead to injury. Seek assistance from an experienced watch technician.



6. Remove the necessary links according to your wrist size. Connect the existing link together



7. Insert the pin into the side without the arrow.
8. Turn the screw clockwise to tighten the screw.
9. Use the screwdriver on the other side as an anchor to prevent it from turning while unscrewing the other side.



WARRANTY AND SUPPORT

We provide a 1 year international warranty for our products. All watches are covered against manufacturing defects for 1 year from date of purchase. This warranty excludes the watch case, glass, crown, battery, straps and any damage caused by excessive use or under conditions exceeding water resistance limitations. Please note that the warranty does not cover the life of the battery or normal wear and tear of the case and strap. Warranty for bracelets covers discolored bracelets only.

If you have an issue with your timepiece, please contact our customer service team prior to attempting any course of repair on your own, as doing so will render your warranty void. To lodge a support request, please email your details along with a description of the issue to hello@osowatch.co.

For more information, or general enquiries, please refer to our website:
www.osowatch.co/contact

STAY IN TOUCH

If you would like to keep up to date on our latest news and new model developments, you can subscribe to our newsletter on our website or follow us on social media.

FACEBOOK

facebook.com/osowatchco

INSTAGRAM

instagram.com/osowatchco

WEBSITE

osowatch.co



O S O